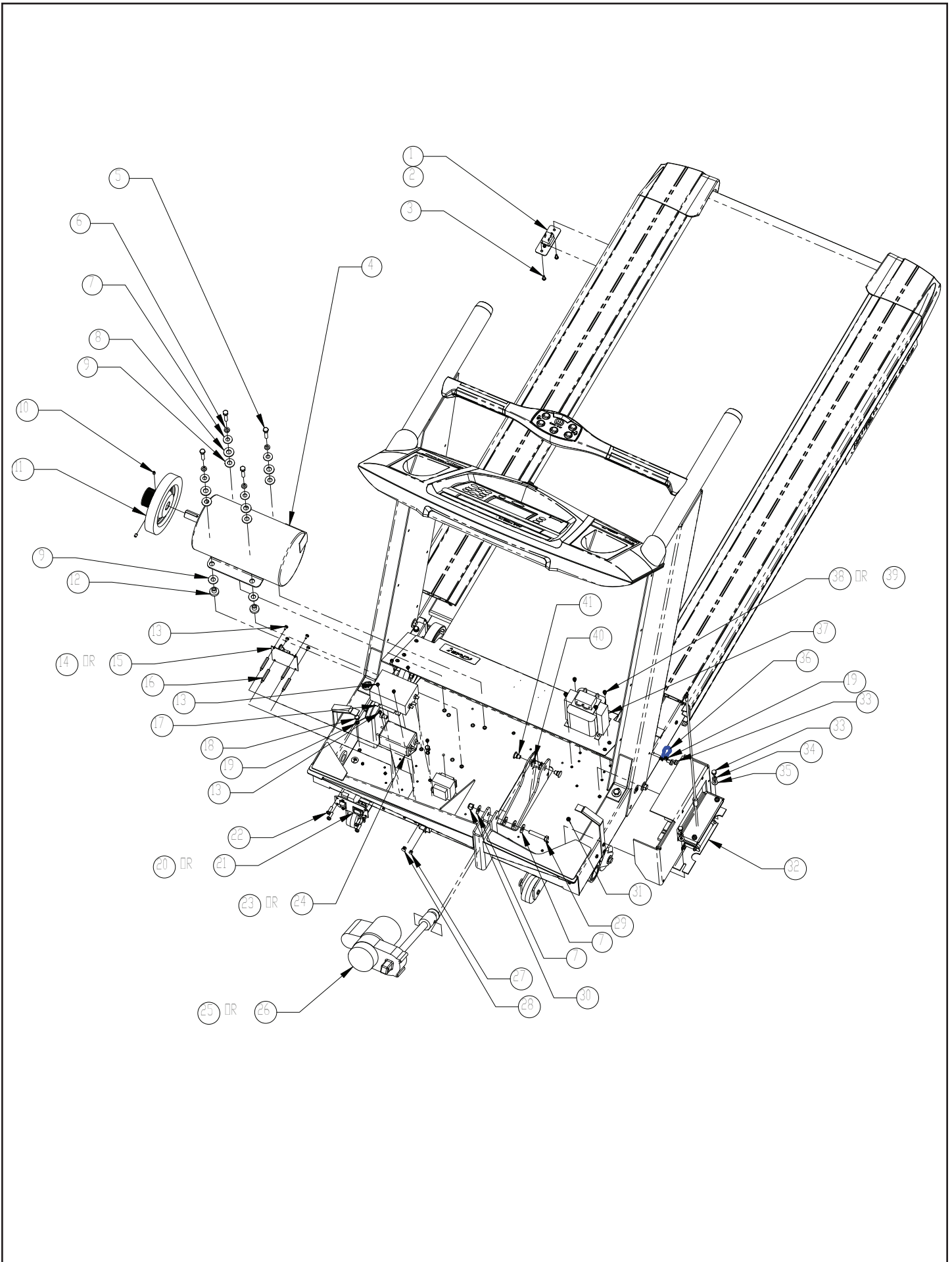
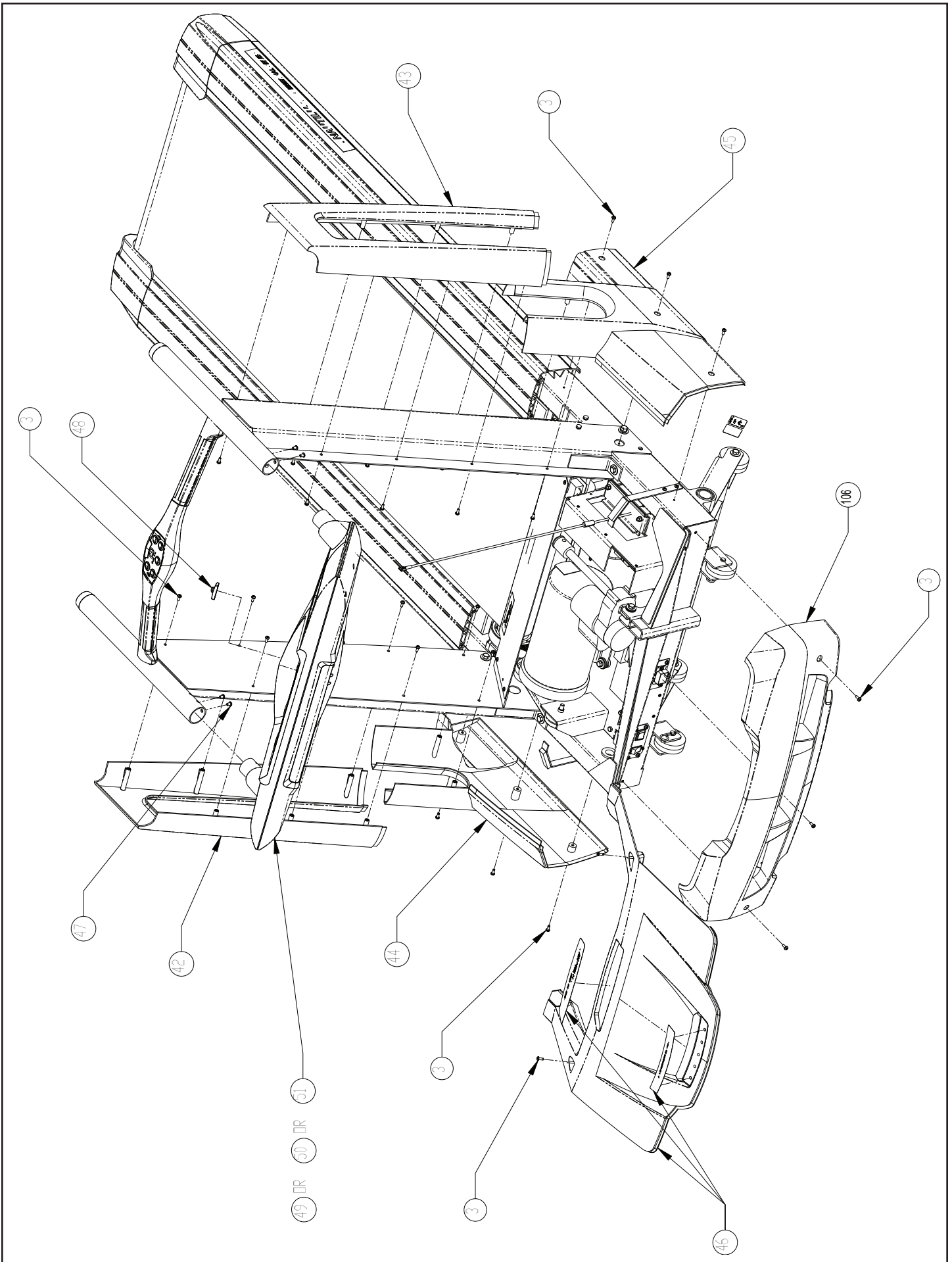


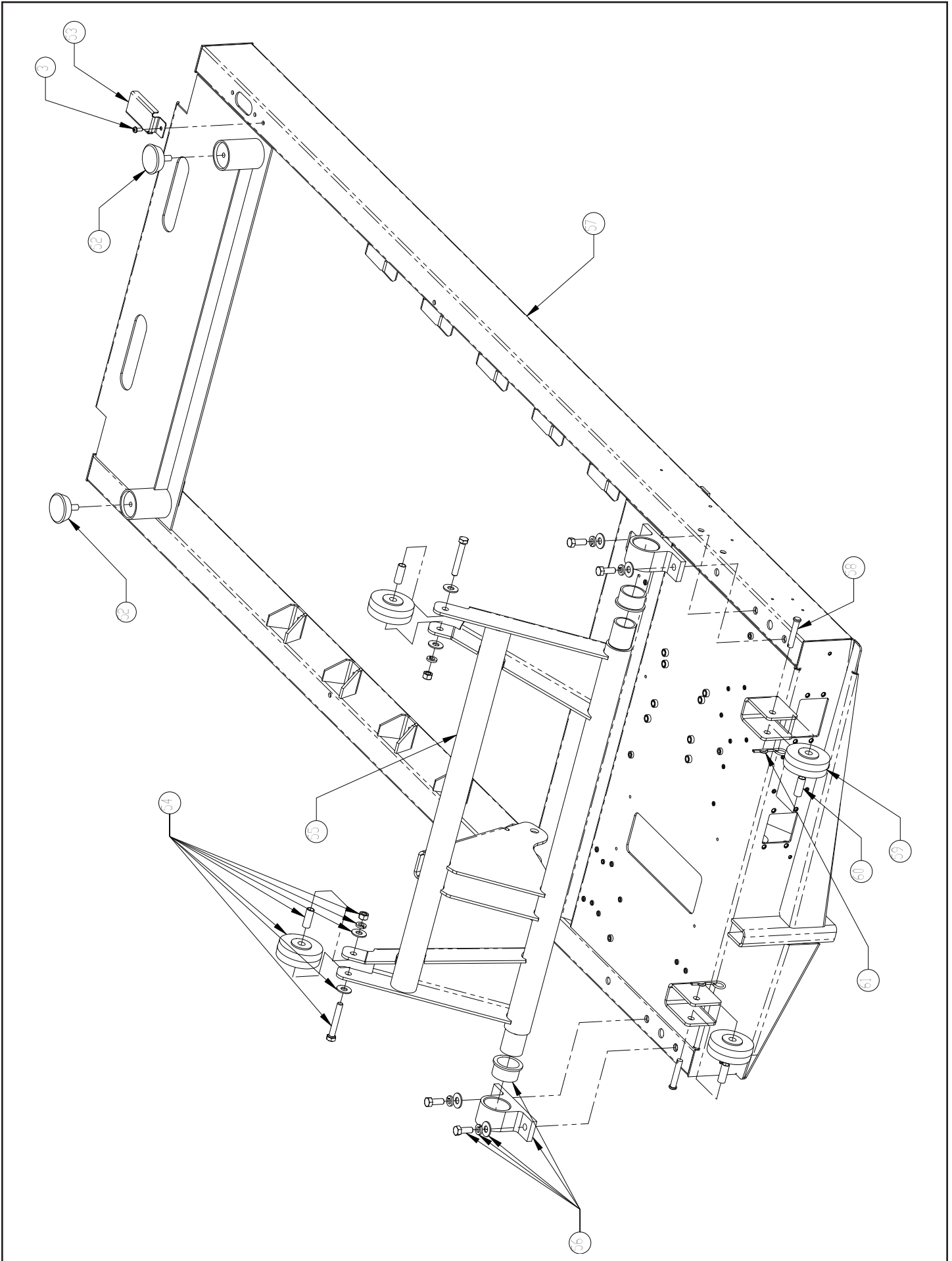
# NAUTILUS T916 TREADMILL



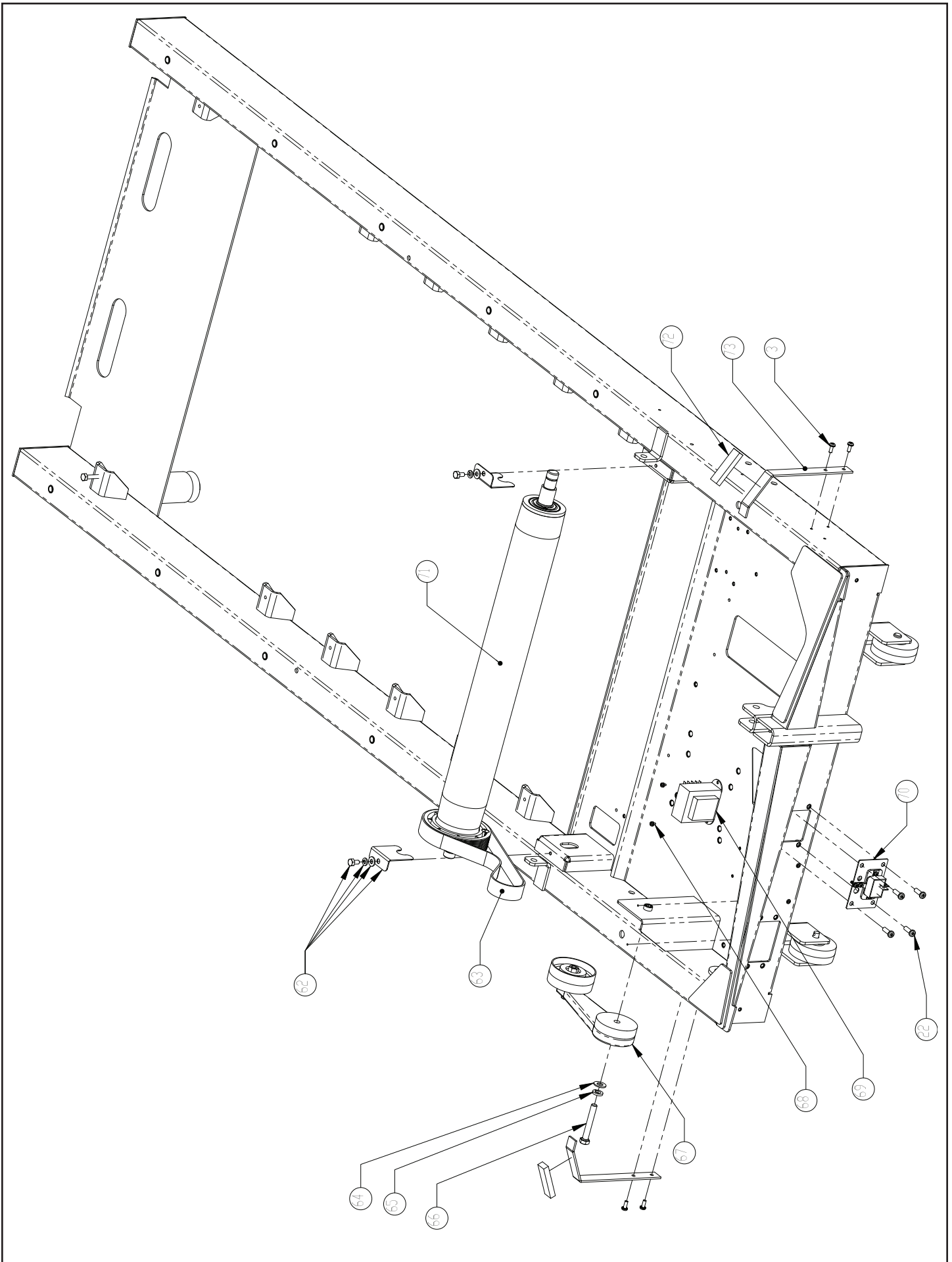
# NAUTILUS T916 TREADMILL



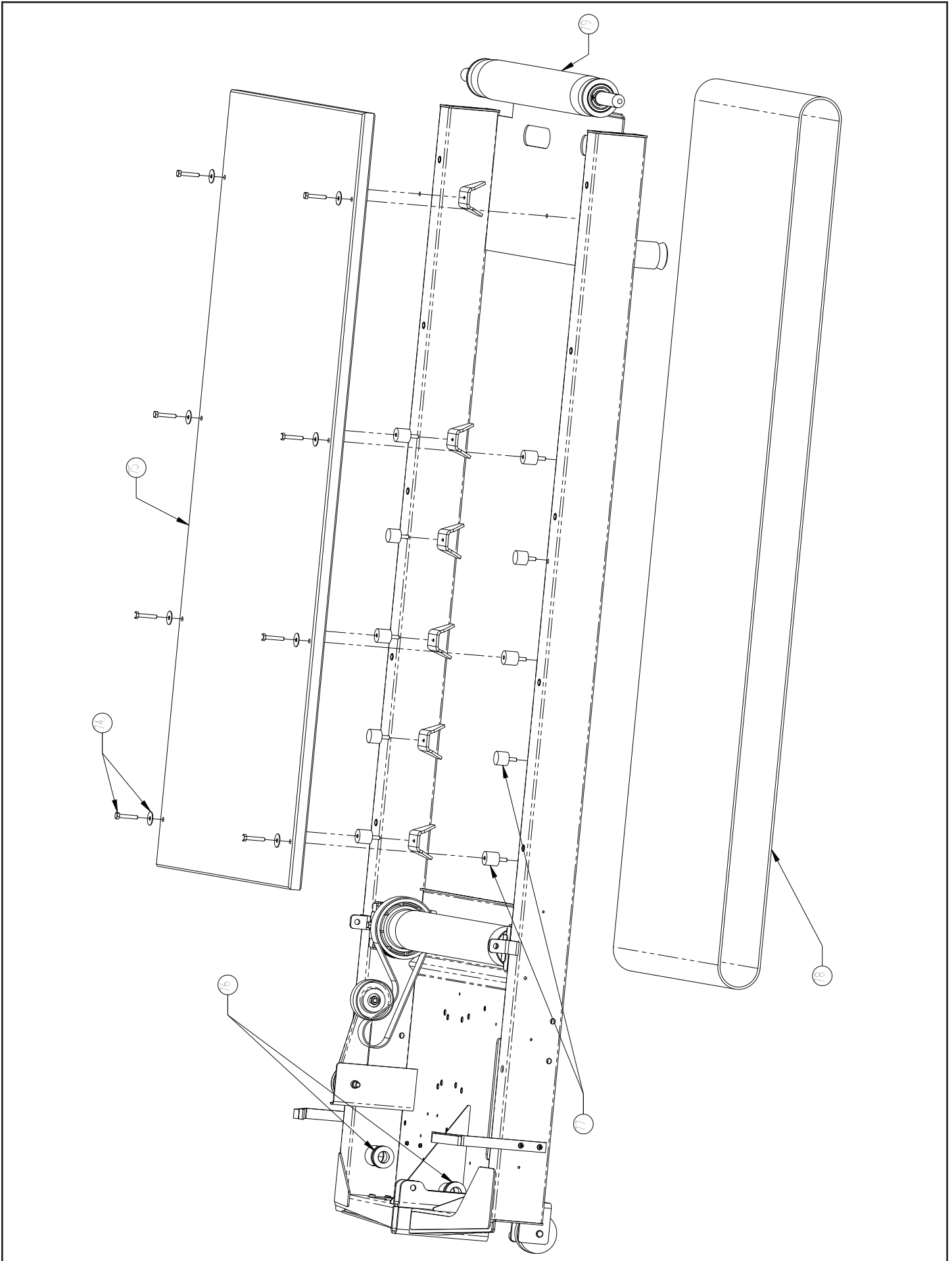
# NAUTILUS T916 TREADMILL



# NAUTILUS T916 TREADMILL

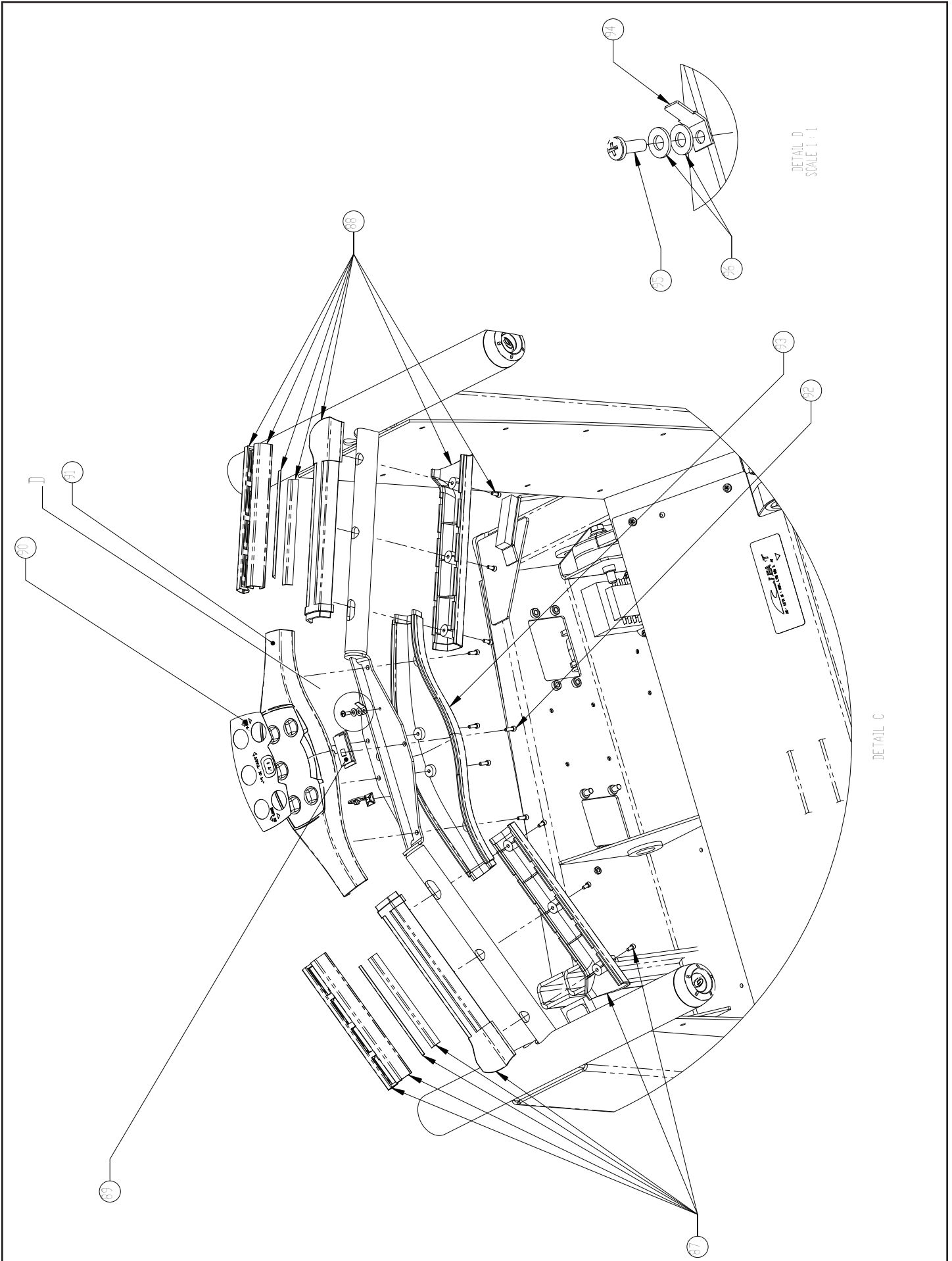


# NAUTILUS T916 TREADMILL





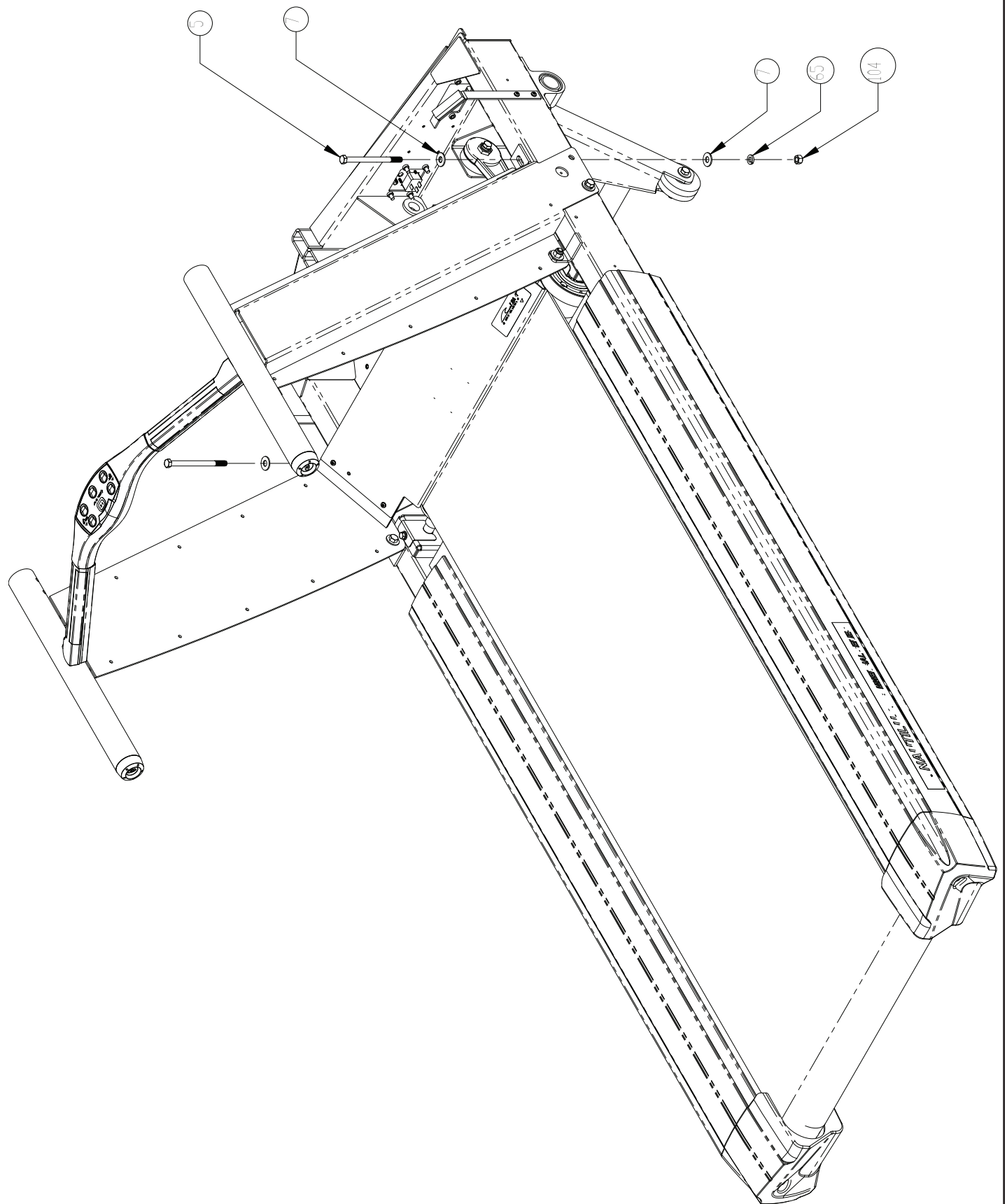
# NAUTILUS T916 TREADMILL







# NAUTILUS T916 TREADMILL



# NAUTILUS T916 TREADMILL

| REF # | DESCRIPTION                    | PART #       | REF #   | DESCRIPTION                    | PART #       |
|-------|--------------------------------|--------------|---------|--------------------------------|--------------|
| 1     | ASSY,PWR INLET REAR,C19,240V,  | SM41476      | 47      | SCREW,1/4-20X3/8";BUTTON HD SO | SM24162      |
| 2     | ASSY,CABLE,REAR POWER          | SM41190      | 48      | ASSY, MAGNETIC SWITCH          | SM41154      |
| 3     | SCREW,#10-32 X .50,PAN HD, W/L | SM41271      | 49      | ASSEMBLY,CONSOLE,T9.16         | SM41332      |
| 4     | DRIVE MOTOR,AC VARIABLE        | SM27487      | 50      | ASSY,CONSOLE,T9.16,TV OPTION   | SM41606      |
| 5     | SCREW, .312-18X1.50, HEX HD CP | SM41060      | 51      | ASSY,CONSOLE,T9.16,INTERNATION | SM41614      |
| 6     | WASHER,.312 SPIT LOCK          | SM22070      | 52      | LEVELING PAD, NTR              | SM41232      |
| 7     | WASHER, 3/8 USS FLAT           | SM22030      | 53      | BRACKET,POWER INLET COVER      | SM41262      |
| 8     | SPACER,NYLON,.125X.500X1.120,  | SM27586      | 54      | KIT,WHEEL ASSY,SV              | SM26402      |
| 9     | WASHER,NEOPRENE,.490X1.063X.09 | SM27562      | 55      | KIT,GRADE WELDMENT ASSY,SV     | SM26401      |
| 10    | SCREW,SET,SOCKET,.250-28 X .38 | SM22878      | 56      | KIT,BEARING ASSY,IGUS,SV       | SM26403      |
| 11    | FLYWHEEL, CAST,NTR 6000/7000   | SM41059      | 57      | WELDMENT,FRAME 63" DECK        | SM41326      |
| 12    | WASHER,SHOULDER,ISOLATION      | SM27441      | 58      | PIN,CLEVIS, 3/8" DIA. X 2" LG  | SM41259      |
| 13    | SCREW,6-32X.38,PAN HD W/LKWASH | SM40456      | 59      | 510/612 POLYOLEFIN WHEEL       | SM27551      |
| 14    | PCBA, CONFIG PLATE 510/612     | SM35774-002  | 60      | BUSHING,SPANNER,NTR            | SM41129-05   |
| 15    | PCBA,TM VOLT CONFIG 230V 15%   | SMQ36498-002 | 61      | PIN,HITCH                      | SM21774      |
| 16    | STANDOFF,1/4 HX,MALE-FEMALE,#6 | SM41585      | 62      | KIT,BRACKET,FRONT ROLLER,SV    | SM26406      |
| 18    | SCREW,.250-20X.50,HEX HD CAP   | SM22101      | 63      | POLY-V DRIVE BELT, 280J10      | SMQ32387-001 |
| 19    | WASHER,LOCK,.250 EXTERNAL TOOT | SM41260      | 64      | WASHER,.406 X .812 X .065,FLAT | SM27585      |
| 20    | ASSY,SWITCH PLATE,T9.14-T9.16  | SM41581      | 65      | WASHER, 3/8 SPLIT LOCK         | SM23729      |
| 21    | ASSY,SWITCH PLATE,T914/916,220 | SM41608      | 66      | SCREW,.375-16X2.50,HEX HD CAP  | SM22016      |
| 22    | SCREW,1/4-20X.75,PAN HD,W/LOCK | SM40670      | 67      | ROTARY TENSIONER               | SM27552      |
| 23    | FILTER,NOISE,RFI               | SM27317      | 68      | SCREW,M3 X 6,SEM,PHPEXT STAR   | SM27310      |
| 24    | HARNESS, POWER INPUT, 240V     | SM27073      | 69      | TRANSFORMER,CLASS 2,40VA       | SM27964      |
| 25    | KIT,ELEVATION MOTOR,SV         | SM26418      | 70      | ASSY,POWER INPUT,T914/T916,120 | SM41583      |
| 26    | ACTUATOR,LINEAR,230V,NTR TM    | SM41289      | 71      | ASSEMBLY,DRIVE ROLLER          | SM41009      |
| 27    | PLUG,HOLE,.312,FINISHING,BLK,L | SM41615      | 72      | FOAM,PAD                       | SM36271-001  |
| 28    | PLUG,HOLE,.375,FINISHING,BLK,L | SM41616      | 73      | BRACKET,COVER SUPPORT          | SM41261      |
| 29    | SCREW,.375-16x2.00,HEX HD CAP  | SM22258      | 74      | KIT,DECK HARDWARE,SV           | SM26405      |
| 30    | NUT,.375-16,NYLON INSERT       | SM22029      | 75      | DECK,22 INCH, 63"              | SM41330      |
| 31    | GUIDE WIRE .500                | SM27583      | 76      | GROMMET, 2870, 7/8" ID         | SM41269      |
| 32    | ASSEMBLY, VSD, T9.14, T9.16    | SM41463      | 77      | KIT,COMPRESSION MOUNT SET,SV   | SM26404      |
| 33    | SCREW,.250 X .50,SELFTAPPING   | SM22139      | 78      | BELT,WALK,63"                  | SM41699      |
| 34    | WASHER,.250 SPLIT LOCK         | SM22027      | 79      | ASSY, REAR ROLLER, V2          | SM41472      |
| 35    | WASHER,FLAT,1/4 ID X 5/8 OD    | SM22047      | 80      | EXTRUS,RUBBER,SIDE RAIL TOP,63 | SM41334      |
| 36    | ASSY,HARNESS, GROUNDING        | SM41415      | 81      | KIT,HARDWARE,EXTRUSION SET,SV  | SM26408      |
| 37    | ASSY,CHOKE,6MH,INTERNATIONAL,  | SM41404      | 82      | KIT,SIDERAIL,T916,LEFT         | SM41571      |
| 38    | SCREW,SEMS,10/32 X .375        | SM30579-016  | 83      | KIT,ENDCAP,SIDERAIL,LEFT       | SM41475-00   |
| 39    | ASSY,HARNESS,JUMPER,MALE,QD    | SM27122      | 84      | KIT,ENDCAP,SIDERAIL,RIGHT      | SM41474-00   |
| 40    | E-RING, EXTERNAL RETAINING     | SM41141      | 85      | KIT,SIDERAIL,T916,RIGHT        | SM41572      |
| 41    | PIVOT SHAFT,ELEVATION NUT      | SM41124      | 86      | EDGE TRIM, RUBBER              | SM22074      |
| 42    | KIT,COVER,UPRIGHT,TOPR,SV      | SM26423      | 87      | KIT,CONTACT PLATE,L,NTR        | SM26419      |
| 43    | KIT,COVER,UPRIGHT,TOP          | SM26424      | 88      | KIT,CONTACT PLATE,R,NTR        | SM26420      |
| 44    | COVER,MOTOR,LOWER RIGHT        | SM41108      | 89      | HEART RATE DETECTION MODULE,   | SM41180      |
| 45    | COVER,MOTOR,LOWER LEFT         | SM41099      | 90 & 91 | KIT, HOUSING, ERGO W/DECAL     | SM26421      |
| 46    | KIT,COVER,MOTOR,MAIN,T914/T916 | SM41080      |         |                                |              |

# NAUTILUS T916 TREADMILL

| REF # | DESCRIPTION                    | PART #      | REF # | DESCRIPTION                    | PART #     |
|-------|--------------------------------|-------------|-------|--------------------------------|------------|
| 92    | SCREW,6-32 X .438 LG SHC       | SM40639     |       | CABLE,ASSY,T9,HR,PROCESS SIDE  | SM41442    |
| 93    | HOUSING,ERGO,BOTTOM CENTER     | SM41112     |       | CABLE,ASSY,T9,HR,MODULE SIDE   | SM41443    |
| 94    | FASTTAB, .250                  | SM27000     |       | TERMINAL,1/4"QD X #10 STUD     | SM41454    |
| 95    | SCREW, SELFTAPPING, #6x3/8     | SM27764     |       | ASSEMBLY,CONSOLE,T9.16         | SM41460    |
| 96    | WASHER,FLAT,ZINC,METRIC        | SM35920-004 |       | ASSY,KIT,HANDRAIL,T9,63"       | SM41478-63 |
| 97    | END CAP,HANDLE BAR,MOLDED      | SM41158     |       | KIT,T7/T9,COMPRESSION MT/DECK  | SM41593    |
| 98    | KIT,KICK PLATE,SV              | SM26427     |       | ASY,RETRO KIT,HANDRAIL,T916,63 | SM41601    |
| 99    | EDGE TRIM, RUBBER, 3/4 X 15/32 | SM22076     | 106   | COVER,MOTOR,FRONT              | SM41513    |
| 100   | SCREW,.375-16x1.00,HEX HD CAP  | SM22246     |       |                                |            |
| 101   | WELDMENT,UPRIGHT,NTR4000/5000  | SM41132     |       |                                |            |
| 102   | KIT,HARDWARE,T7/T9 SERIES      | SM41315     |       |                                |            |
| 103   | KIT,HARDWARE,T7/T9,UPRIGHT,SV  | SM42600     |       |                                |            |
| 104   | NUT, 3/8-16 NC FINISH HEX      | SM22077     |       |                                |            |
| 105   | SCREW,3/8-16 X 5, HH, G2       | SM41532     |       |                                |            |
|       | EXTENSION,HARNESS,MOTOR/THERMO | SM17550     |       |                                |            |
|       | CORDSET,PWR,ANGLE,8',STRAIGHT, | SM17566     |       |                                |            |
|       | HOUSING,CONSOLE BEZEL          | SM17714     |       |                                |            |
|       | LENS, CONSOLE                  | SM17715     |       |                                |            |
|       | CONNECTOR,RF,3mm,F             | SM17787     |       |                                |            |
|       | ASSY,HARNESS,TV/PWR,T914/T916, | SM17847     |       |                                |            |
|       | TYRAP, 1/8 X 4                 | SM20473     |       |                                |            |
|       | TYRAP,ADHESIVE MOUNT           | SM21566     |       |                                |            |
|       | KIT,HARDWARE,KICK PLATE,SV     | SM26428     |       |                                |            |
|       | KIT,CONNECTOR,LOCK,T914/T916   | SM27306     |       |                                |            |
|       | CIRCUIT BREAKER,ME 220V        | SM27308     |       |                                |            |
|       | HARNESS ASSY,EMI FILTER GROUND | SM27312     |       |                                |            |
|       | CIRCUIT BREAKER,ME             | SM27319     |       |                                |            |
|       | ASSY,HARNESS,CIRCUIT BREAKR,QD | SM27404     |       |                                |            |
|       | WASHER,M8,FLAT,FENDER          | SM27564     |       |                                |            |
|       | WASHER,M8,SPLIT LOCK           | SM27592     |       |                                |            |
|       | ASSY., CABLE, LOWER C50 TM COM | SM27951     |       |                                |            |
|       | ASSY., CABLE, Upper C50 TM COM | SM27952     |       |                                |            |
|       | HARNESS ASSY, AC               | SM35982-002 |       |                                |            |
|       | SCREW,6-32X.38,PAN HD W/LKWASH | SM40456     |       |                                |            |
|       | KIT, PCBA, DISPLAY,T916,TC916  | SM40824-2   |       |                                |            |
|       | PCB ASSY, C52 DISPLAY          | SM40865     |       |                                |            |
|       | HOUSING,CONSOLE REAR           | SM41086     |       |                                |            |
|       | HOUSING, CONSOLE FRONT         | SM41101     |       |                                |            |
|       | CABLE ASSY,CONTACT HR PADS     | SM41169     |       |                                |            |
|       | CABLE ASSY,ROC KEYS CONSOLE    | SM41173     |       |                                |            |
|       | ASSY,CABLE,ROC KEYS            | SM41193     |       |                                |            |
|       | KEYPAD, CONSOLE, T9.14         | SM41280     |       |                                |            |
|       | MANUAL,CD,T9 SERIES            | SM41281     |       |                                |            |
|       | INSTRUCTIONS,ASSY,T9 SERIES TM | SM41282     |       |                                |            |
|       | CORDSET,PWR,ANGLE,C19LA 5-20P  | SM41319     |       |                                |            |